

Fig. 22—Removing the Gear Shaft Oil Seal

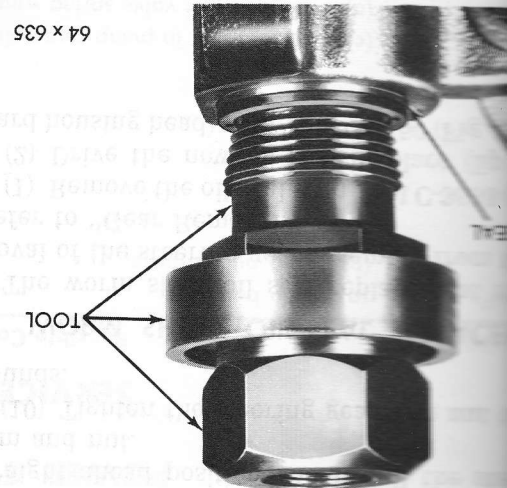
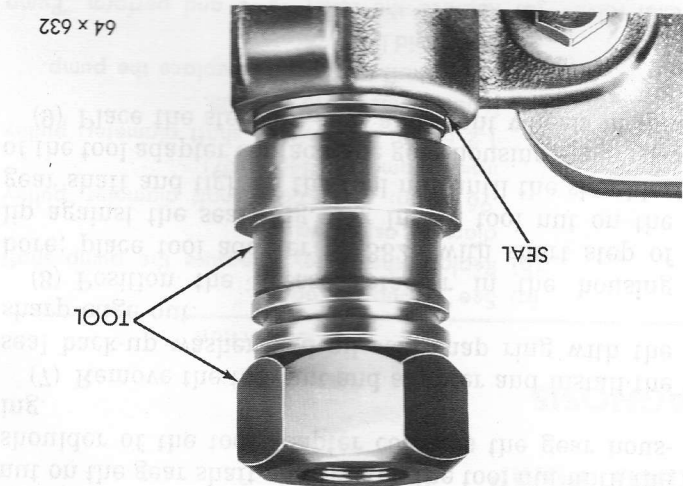


Fig. 24—Installing the Gear Shaft Grease Retainer



Connect the steering gear arm from the second Tool C-3646 (Fig. 3).  
 The threaded adapter SP-3609 of Tool C-3610 on the gear shaft. Maintain pressure after far enough to engage the metal portion of the grease retainer. Place the two half rings of the Tool retainer ring over both portions of the grease retainer. Turn the tool nut counterclockwise (Fig. 22). Turn the tool nut counterclockwise to remove the seal back-up washer. Remove the oil seal snap ring with pliers. Tool C-3880 in the same manner as outlined (3) to remove the inner seal. Tool adapter SP-3828 with the long step against the new seal and slide it over the seal lip toward housing (Fig. 23). Install tool

Fig. 23—Installing the Gear Shaft Inner Oil Seal

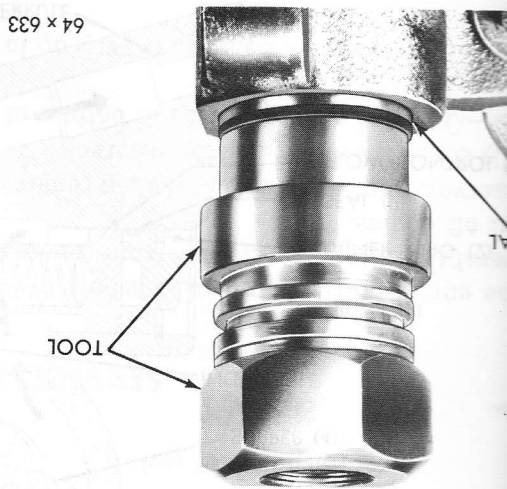


Fig. 25—Removing the Worm Shaft Oil Seal

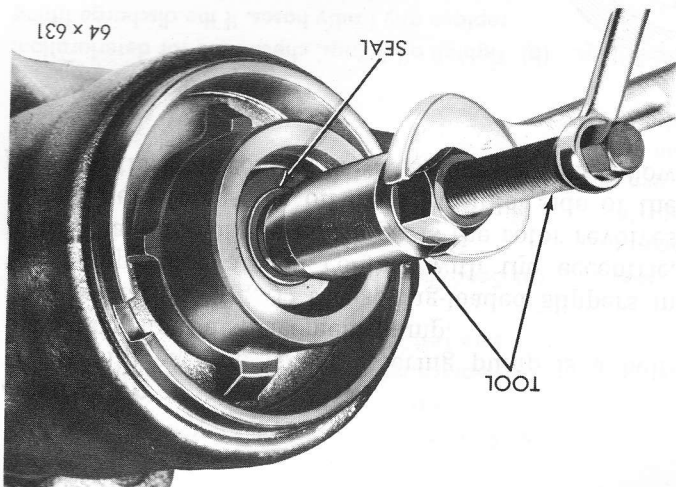


Fig. 26—Installing the Worm Shaft Oil Seal

