

Fig. 12—Removing or Installing Gearshift Control Unit (Chrysler)

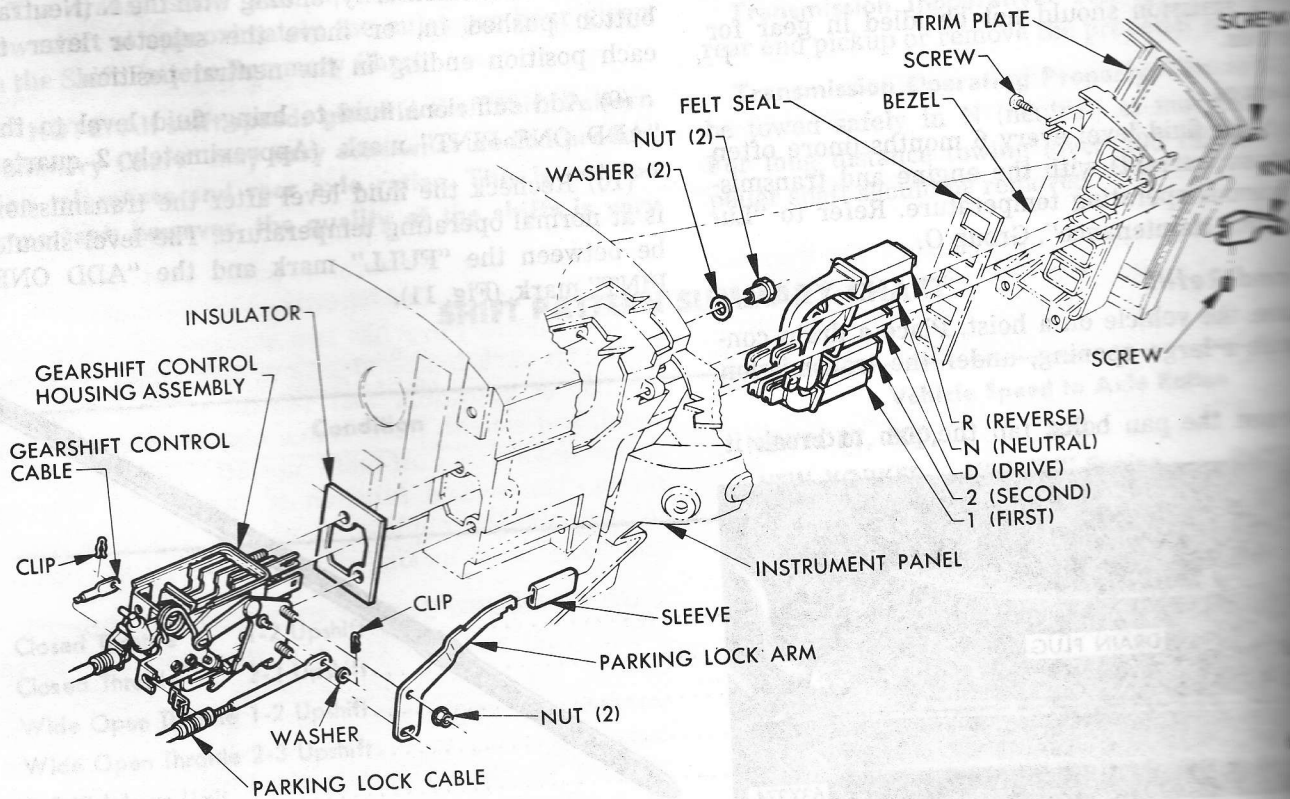


Fig. 13—Removing or Installing Gearshift Control Unit (Imperial)